

Fabricated Line Cross - IPS (Dimensions in Inches)

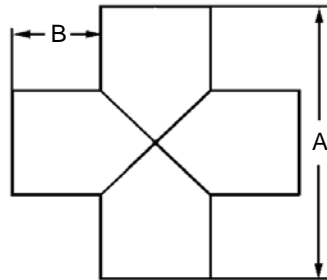
IPS Size	A	B	SDR	WPR (psi)	Weight (lbs)
2"	9.0	3.3	11	160	2
3"	10.3	3.4	11	160	3
4"	16.5	6.0	7	200	10
			9	160	8
			11	128	7
6"	18.6	6.0	7	200	22
			9	160	18
			11	128	16
8"	24.6	8.0	7	200	50
			9	160	41
			11	128	34
10"	26.8	8.0	7	200	83
			9	160	67
			11	128	55
			17	80	38
12"	28.8	8.0	7	200	123
			9	160	99
			11	128	84
			17	80	56
14"	32.0	9.0	7	200	165
			9	160	132
			11	128	109
			17	80	74
16"	34.0	9.0	7	200	236
			9	160	1192
			11	128	159
			17	80	107
18"	38.0	10.0	7	200	328
			9	160	267
			11	128	224
			17	80	152

• IPS Line Cross Continued Next Page •

Other sizes and DR's not listed are available - Call For Quick Quote

Sizes 24" and smaller meet AWWA C906 fitting requirements, sizes 26" and larger are quoted per fitting.

WPR represents the long term hydrostatic pressure capacity of the fabricated cross with a 1.5:1 safety factor. To achieve a 2:1 safety factor like that of the straight pipe the WPR will be reduced.



Fabricated Line Cross - IPS (continued)

(Dimensions in Inches)

IPS Size	A	B	SDR	WPR (psi)	Weight (lbs)
20"	40.0	10.0	7	200	423
			9	160	342
			11	128	284
			17	80	192
22"	46.0	12.0	7	200	586
			9	160	474
			11	128	397
			17	80	267
24"	48.0	12.0	7	200	1079
			9	160	584
			11	128	487
			17	80	329
26"	54.0	14.0	9	160	792
			11	128	663
			17	80	449
28"	56.0	14.0	9	160	944
			11	128	791
			17	80	525
30"	58.0	14.0	11	128	934
			17	80	631
32"	60.0	14.0	11	128	1092
			17	80	733
34"	74.0	20.0	11	128	1670
			17	80	1123
36"	76.0	20.0	11	128	1920
			17	80	1292
42"	82.0	20.0	17	80	1856
			21	65	1514
48"	88.0	20.0	21	65	1967
			26	50	1602
54"	94.0	20.0	26	50	2273
			32.5	40	1827

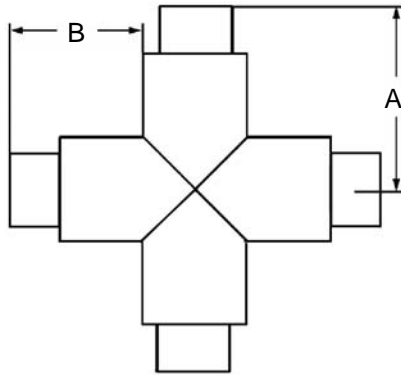
Other sizes and DR's not listed are available - Call For Quick Quote

Sizes 24" and smaller meet AWWA C906 fitting requirements, sizes 26" and larger are quoted per fitting.

WPR represents the long term hydrostatic pressure capacity of the fabricated cross with a 1.5:1 safety factor. To achieve a 2:1 safety factor like that of the straight pipe the WPR will be reduced.



IPS HDPE PE Reinforced Line Cross Fully Pressure Rated With Full Flow ID (Dimensions in Inches)

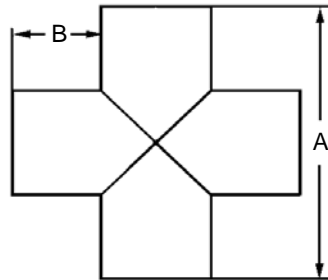


These fittings offer a full pressure rating without restricting the ID flow or lowering the fitting WPR design factor!

IPS Nominal Size	Feedstock OD	A	B	SDR	WPR (psi)
4"	6.625	15.3	12.0	9	200
				11	160
				17	100
6"	8.625	18.3	14.0	9	200
				11	160
				17	100
8"	10.750	19.9	14.5	9	200
				11	160
				17	100
10"	12.750	20.9	14.5	9	200
				11	160
				17	100
12"	14.000	24.0	17.0	9	200
				11	160
				17	100
14"	16.000	25.0	17.0	9	200
				11	160
				17	100
16"	18.000	27.0	18.0	9	200
				11	160
				17	100
18"	20.000	28.0	18.0	9	200
				11	160
				17	100
20"	22.000	31.0	20.0	9	200
				11	160
				17	100
22"	24.000	32.0	20.0	9	200
				11	160
				17	100
24"	26.000	35.0	20.0	9	200
				11	160
				17	100

WPR represents the long term hydrostatic pressure capacity of the Reinforced Fabricated Line Cross with a 2:1 design factor.

IPPI's HDPE Design-Flow® Pipe Fittings are designed to meet AWWA C901/C906 fitting requirements and are manufactured from PPI and NSF listed resins in accordance with the material specifications listed in ASTM D3350 with a cell classification of 345464C or better. Suitable for butt welding to pipe manufactured to ASTM D2513, D3035, F714 with similar resins.



Fabricated Line Cross - DIPS (Dimensions in Inches)

DIPS Size	A	B	SDR	WPR (psi)	Weight (lbs)
4"	16.8	6.0	9	160	11
			11	128	8
6"	18.9	6.0	9	160	20
			11	128	17
8"	25.0	8.0	9	160	44
			11	128	40
10"	27.1	8.0	9	160	73
			11	128	60
			17	80	43
12"	29.2	8.0	9	160	108
			11	128	91
			17	80	62
14"	33.3	9.0	9	160	173
			11	128	143
			17	80	97
16"	35.4	9.0	9	160	235
			11	128	200
			17	80	132
18"	39.5	10.0	9	160	328
			11	128	271
			17	80	183
20"	41.6	10.0	9	160	411
			11	128	346
			17	80	234
24"	49.8	12.0	9	160	701
			11	128	591
			17	80	398
30"	60.0	14.0	11	128	1098
			17	80	737

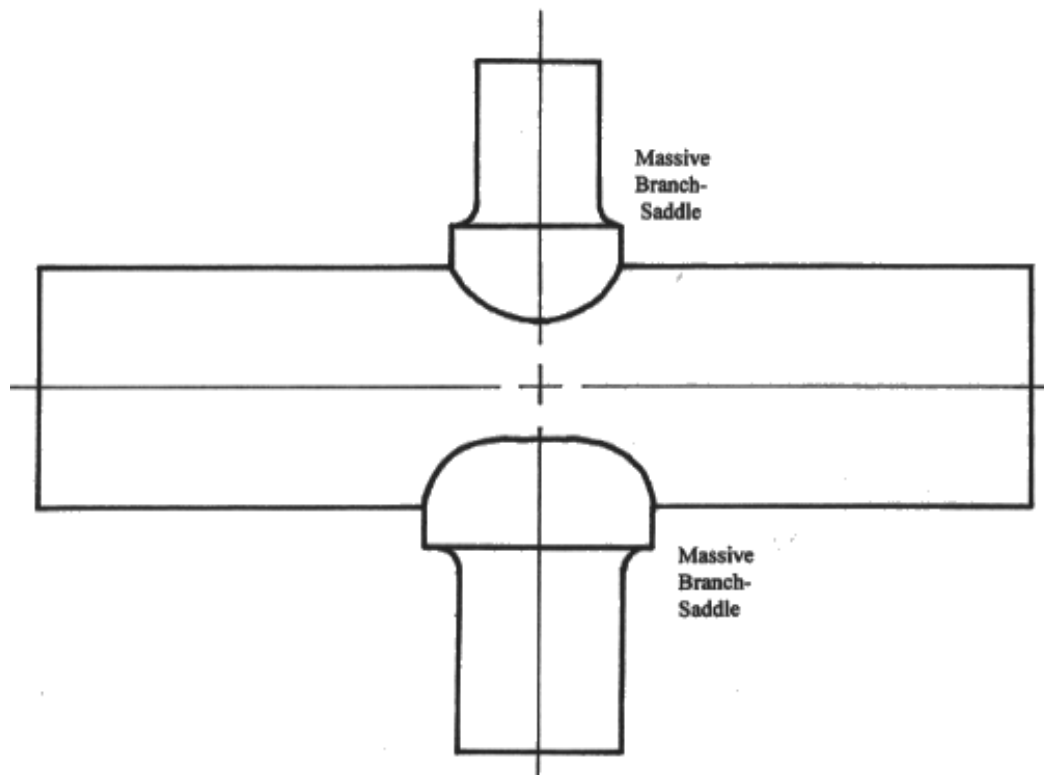
Other sizes and DR's not listed are available - Call For Quick Quote

Sizes 24" and smaller meet AWWA C906 fitting requirements, sizes 26" and larger are quoted per fitting.

WPR represents the long term hydrostatic pressure capacity of the fabricated cross with a 1.5:1 safety factor. To achieve a 2:1 safety factor like that of the straight pipe the WPR will be reduced.



Reducing Crosses and End Options - IPS & DIPS



Reducing crosses use full-pressure rated massive-base branch-saddles. The permutations and combinations of equal and unequal reducing crosses is quite numerous (2" to 24" IPS & DIPS Outlets- by- 3" to 24" DIPS to 54" IPS pipe main). Call for a Quick Quote on the specific combination needed for the project. These reducing crosses are not normally a stocking item, but are made to order. While the tooling for every combination may not be immediately available, Independent Pipe Products can make the required tooling in a reasonable time frame in our own machine shop. Allow us to Quick Quote on your projects. We want to earn your business!

End options are your choice of butt-end, flanged, DIMJA, reducer end, etc.